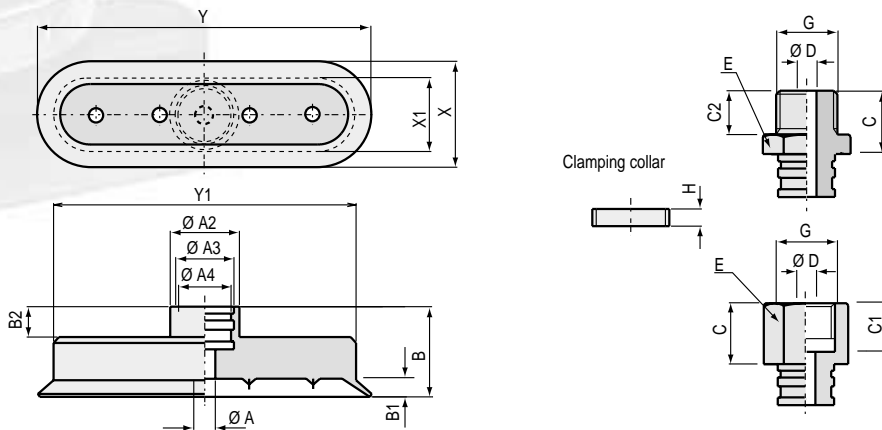


Oblong suction cups, series VPO



Applications:

This range of suction cups is used for the handling of **long products**, such as pens, tubes and bottles, and flat or cylindrical objects.

Characteristics:

Models	∅ A mm	A2 mm	A3 mm	A4 mm	B mm	B2 mm	B1 mm	C mm	C1 mm	C2 mm	D mm	G	H mm	X mm	X1 mm	Y mm	Y1 mm	E -	F* N
VPO 357	1	6	3	2	6	3.5	0.8	5	-	3	1	M3	-	3.5	-	7	3.5	5	0.75
VPO 515	1.2	8.5	6	4.5	12	7	1	10	8.5	5	2	M5	-	5	2.8	15	12.8	8	3.15
VPO 618	1.5	8.5	6	4.5	12	7	1.2	10	8.5	5	2	M5	-	6	3.2	18	15.2	8	4.2
VPO 824	1.5	11.5	7	5.5	12	4.3	1.5	13	9	8	3.5	1/8G	4	8	4.5	24	20.5	14	8
VPO 1030	2.5	11.5	7	5.5	12	4.3	2	13	9	8	3.5	1/8G	4	10	5.5	30	25.5	14	12.5
VPO 1545	3	15.5	13	11.5	21	6	3	15	12	10	3.5	1/4G	4	15	8.5	45	38.5	17	28.2
VPO 2060	4	15.5	13	11.5	21	5	3.5	15	12	10	3.5	1/4G	4	20	12.5	60	52.5	17	41.1
VPO 2575	4	17.5	13	11.5	21	7	4	15	12	10	3.5	1/4G	4	25	17.5	75	67.5	17	78.4
VPO 3090	4	17.5	13	11.5	21	5	5	15	12	10	3.5	1/4G	4	30	21	90	81	17	112.8

Adaptable inserts:

Reference	Connection	Male reference	Female reference	Clamping collar
VPO 357	M3	IM 3 VPO 24	-	-
VPO 515 and 618	M5	IM 5 VPO 515	IF 5 VPO 515	-
VPO 824 and 1030	1/8 Gas	IM 18 VPO 824	IF 18 VPO 824	VPO COV18
VPO 1545 to 3090	1/4 Gas	IM 14 VPO 1545	IF 14 VPO 1545	VPO COV14

Insert not sold alone.

Materials:

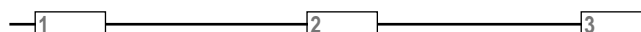
NBR: Nitrile

SI: Translucent silicone

Accessories:

Anti-rotation spring systems, see page 91.

VPO



1: Dimensions
357 to 3090

2: Material
NBR Nitrile
SI Silicone

3: Inserts
IF Female insert
IM Male insert